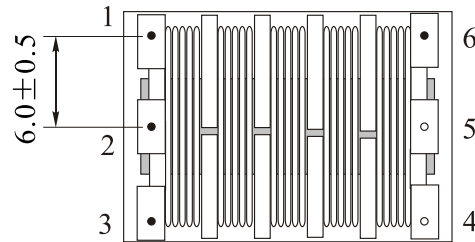
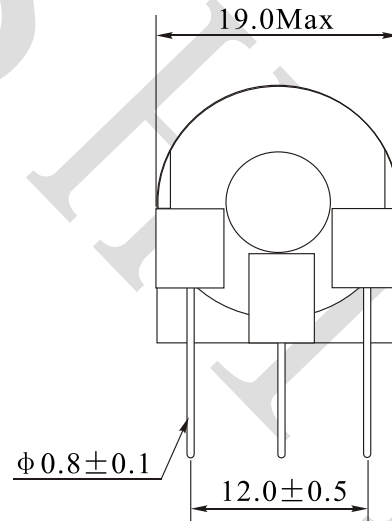
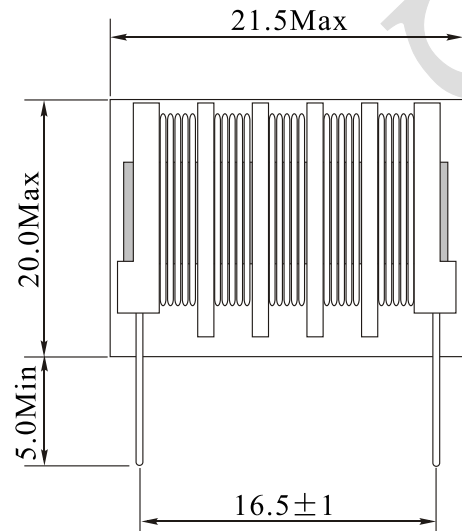
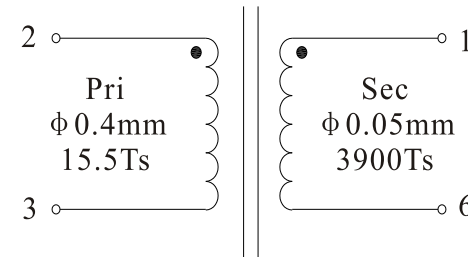


Rev.	Description	Date
A0	New release	2020.08.26

### 1. PHYSICAL CHARACTERISTICS (mm)



### 2. ELECTRONICAL SCHEMATIC



### 3. ELECTRONICAL SPECIFICATIONS

Inductance: Pin2-3:  $8\mu\text{H} \pm 20\%$ @1KHz,1V

Pin1-6:  $375\text{mH} \pm 20\%$ @1KHz,1V

DCR: Pin2-3:  $120\text{m}\Omega$  Max

Pin1-6:  $1.5\text{K}\Omega$  Max

Turns ratio: Sec: Pri = 251.6:1

Hi-Pot: 3KVac, 5mA, 1min Pri to Sec

#### NOTES:

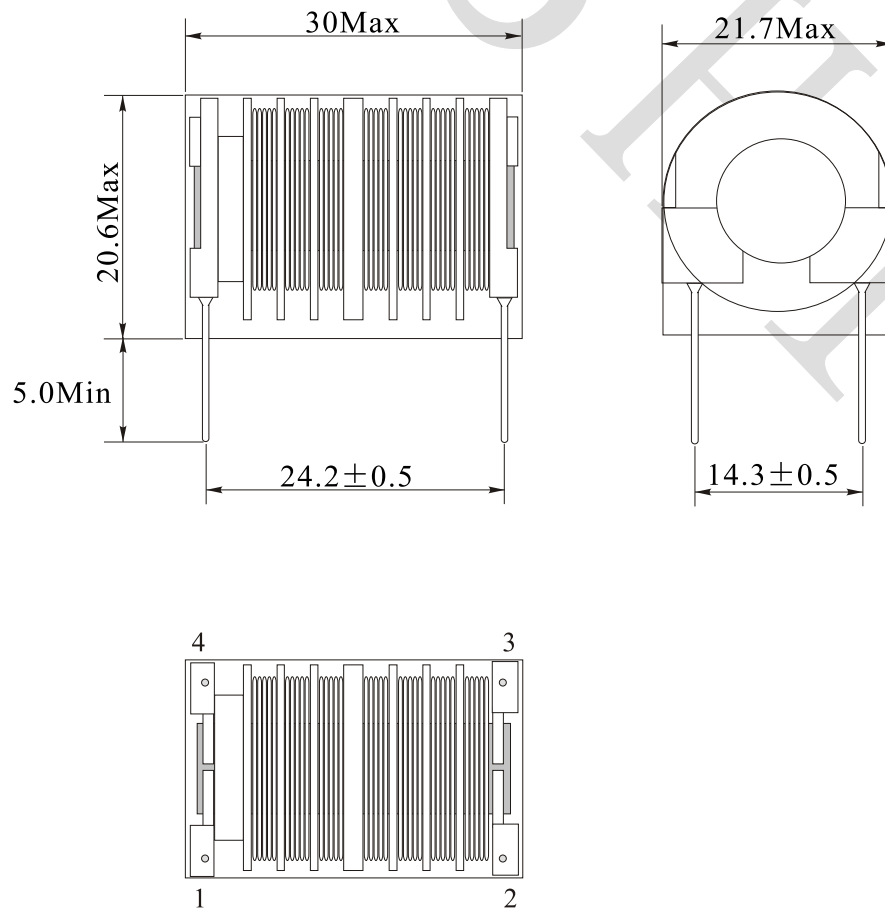
Temp 20°C 48%RH

RoHS Compliant

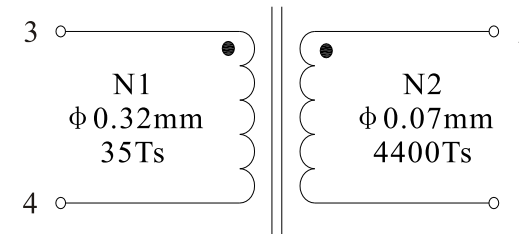
NEME:	Pulse transformer		
CUSTOMER P/N:		DATE:	2020-08-26
SHINHOM P/N:	HT0615-251	REV: A0	PAGE
DRAWN BY	CHECKED BY	APPROVE BY	

Rev.	Description	Date
A0	New release	2022.03.28

### 1. PHYSICAL CHARACTERISTICS (mm)



### 2. ELECTRONICAL SCHEMATIC



### 3. ELECTRONICAL SPECIFICATIONS

Turns ratio: 35:4400

Inductance: N1: 105uH±20%@1.0KHz,1V

N2: 580mH±20%@1.0KHz,1V

#### Note:

- 1.Solderability:leads shall meet MIL-STD-202, Method 208D for solderability.
- 2.Flammability: UL94V-0
- 3.ASTM oxygen index: >28%

Test Instrument: WK3260B+3261A

#### NOTES:

Temp 20°C 48%RH  
RoHS Compliant

NAME:	High voltage transformer		
CUSTOMER P/N:		DATE:	2022-03-28
SHINHOM P/N:	HT0828-35-4400	REV: A0	PAGE
DRAWN BY	CHECKED BY	APPROVE BY	

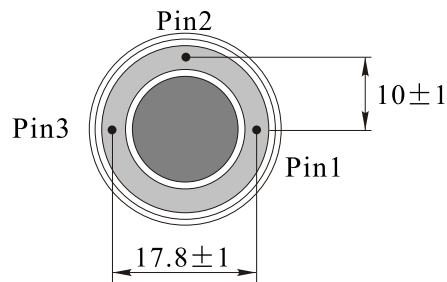
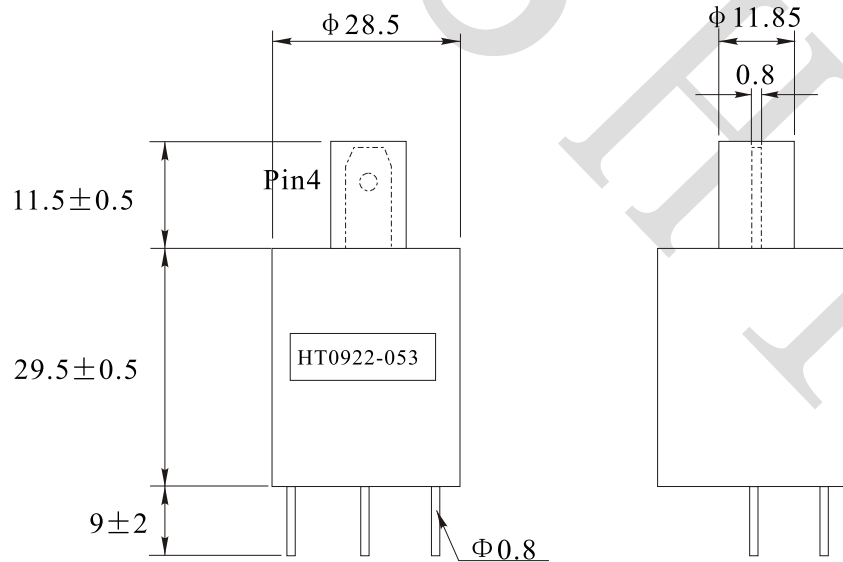


**SHINHOM**  
SHAANXISHINHOM ENTERPRISE CO LTD

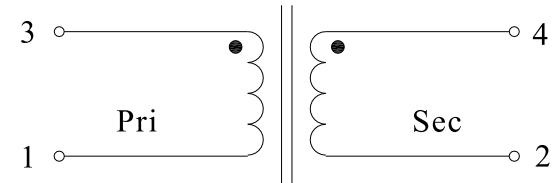
The Document property belong to SHINHOM & is not allowed to be duplicated without authorization

Rev.	Description	Date
A0	New release	2016.11.03

## 1. PHYSICAL CHARACTERISTICS (mm)



## 2. ELECTRONICAL SCHEMATIC



## 3. ELECTRONICAL SPECIFICATIONS

Turns ratio:	Pri:Sec=1:53
Pri DCR:	100mΩ Max
Sec DCR:	300Ω Max
Pri inductance:	17.5uH ± 5uH@1.0Hz,1V
Sec inductance:	50mH ± 10mH@1.0Hz,1V

## 4. MATERIAL LIST

No	MATERIAL	MATERIAL SPEC	PROVIDER	UL.NO
1	Epoxy	102GF30UVW Transparent	Beijing hanlun industrial plastics Co.,Ltd	E243880
2	WIRE	MW79#	Xu zhou shengbao industryCo.,Ltd	E194766
3	Bobbin	PBT4130 White	Yun Cheng plsadtics Co., Ltd	F48285CM
4	Shell	ABS PA-765A Black	Chi Mei Corporation	E56070

NAME:	High voltage ignition coil		
CUSTOMER P/N:		DATE:	2016-11-03
SHINHOM P/N:	HT0922-053	REV:	A0
DRAWN BY	CHECKED BY	APPROVE BY	

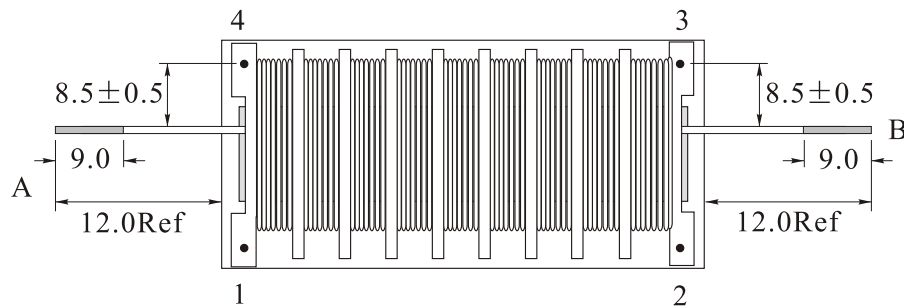
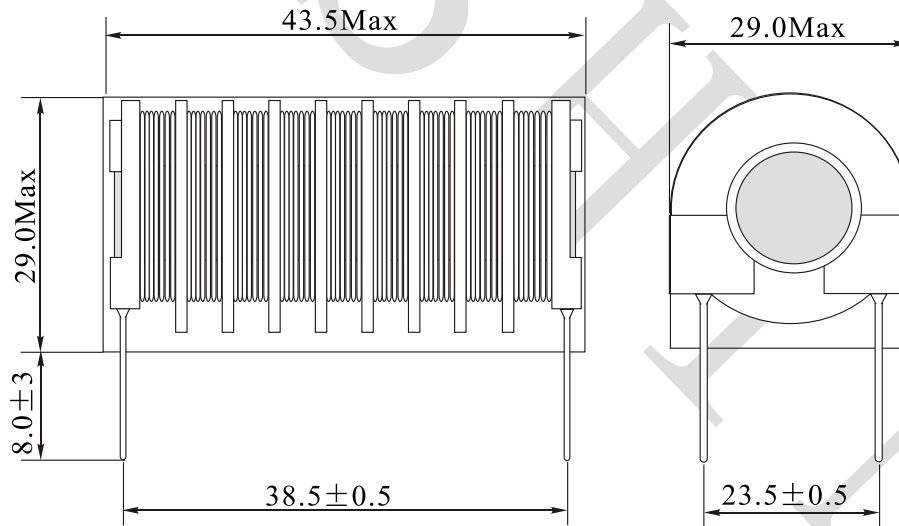


**SHINHOM**  
SHAANXISHINHOM ENTERPRISE CO LTD

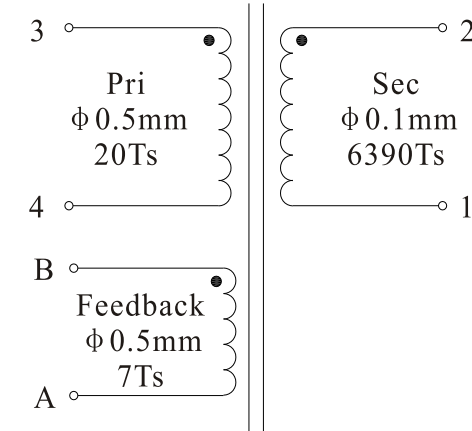
The Document property belong  
to SHINHOM & is not allowed to be  
duplicated without authorization

Rev.	Description	Date
A0	New release	2021.12.16

### 1. PHYSICAL CHARACTERISTICS( mm)



### 2. ELECTRONICAL SCHEMATIC



### 3. ELECTRONICAL SPECIFICATIONS

Inductance: Pin3-4: 20.0uH±20%@1KHz,0.1V

Pin2-1: 1.4H±20%@1KHz,0.1V

Turns ratio: Sec: Pri=6390:20

DCR: Pin3-4: 72mΩ ±10%

Pin2-1: 815Ω ±7%

Operating temperature: -25°C to +105°C

**NOTES:**

Temp 20°C 48%RH  
RoHS Compliant

NEME:	Ignition transformer		
CUSTOMER P/N:		DATE:	2021-12-16
SHINHOM P/N:	HT1040-642-3	REV: A0	PAGE
DRAWN BY	CHECKED BY	APPROVE BY	

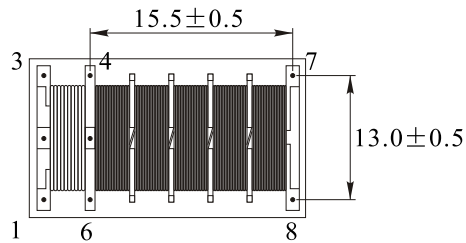
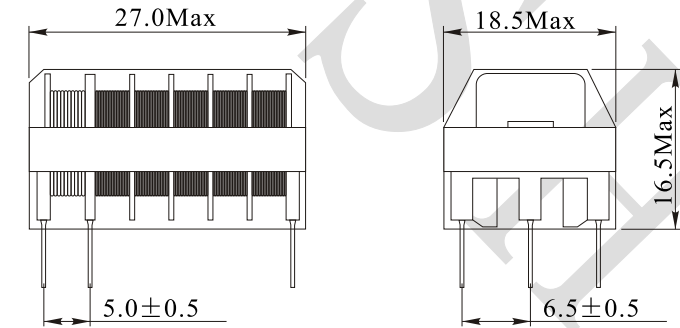


**SHINHOM**  
SHAANXISHINHOM ENTERPRISE CO LTD

The Document property belong to SHINHOM & is not allowed to be duplicated without authorization

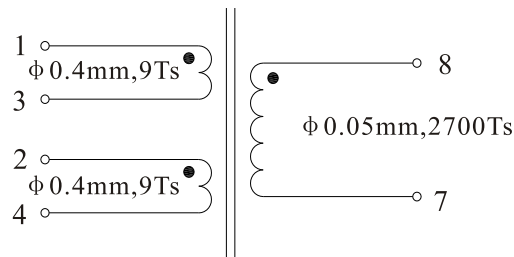
Rev.	Description	Date
A0	New release	2021.11.09

## 1. PHYSICAL CHARACTERISTICS (mm)



Bottom view

## 2. ELECTRONICAL SCHEMATIC



## 3. ELECTRONICAL SPECIFICATIONS

Inductance(1-3)=(2-4): 7~16uH@1KHz,0.1V

DCR(1-3)=(2-4): 37mΩ ±20%

Inductance(8-7): 1.0H ±20%@1KHz,0.1V

DCR(8-7): 650Ω ±20%

## 4. MATERIALS

No.	Name	Ratings	Manufacturer name
1	magnetic core	EEL16 PC40	SONGNA
2	copper wire	φ0.05mm 2UEW	JINGWEI
		φ0.4mm 2UEW	
3	adhesive tape	130°C	WENLIAN
4	skeleton	150°C	ZHISHENG
5	epoxy	TA228	PINTE
6	curing agent	B2006	PINTE
7	tin	Green tin	HONGXINGWEI

NAME:	High voltage transformer		
CUSTOMER P/N:		DATE:	2021-11-09
SHINHOM P/N:	HT16L-2700-18	REV: A0	PAGE
DRAWN BY	CHECKED BY	APPROVE BY	

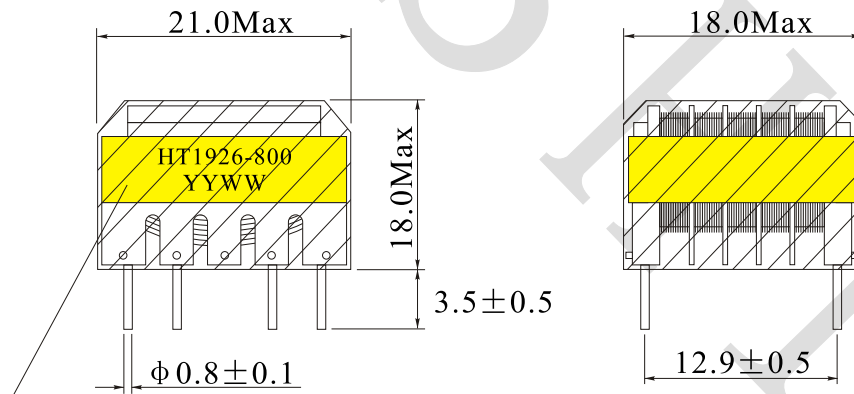


**SHINHOM**  
SHAANXISHINHOM ENTERPRISE CO LTD

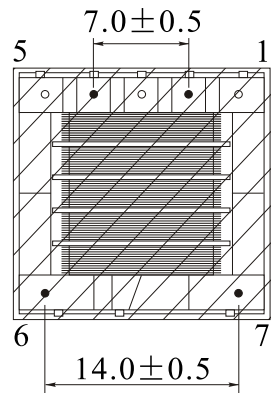
The Document property belong to SHINHOM & is not allowed to be duplicated without authorization

Rev.	Description	Date
A0	New release	2022.06.28

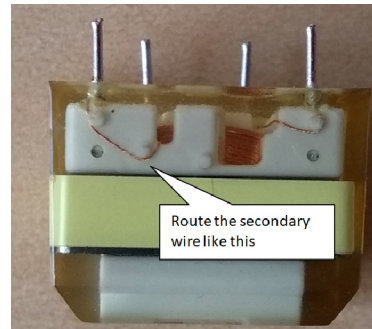
### 1. PHYSICAL CHARACTERISTICS (mm)



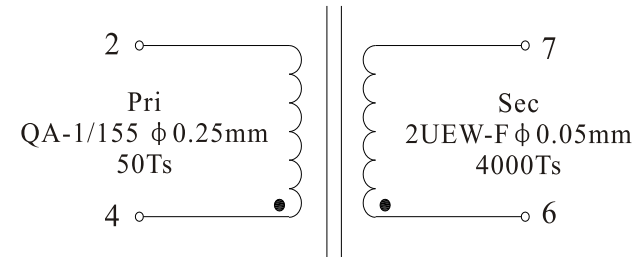
Mark label before encapsulation



Note: Secondary correct output mode



### 2. ELECTRONICAL SCHEMATIC



### 3. ELECTRONICAL SPECIFICATIONS

Turns ratio: Pri : Sec=1:80

Inductance(2-4): 190uH ± 20%@10KHz,0.1V

Inductance(7-6): 960mH ± 20%@10KHz,0.1V

Operating temperature: -25°C to 85°C

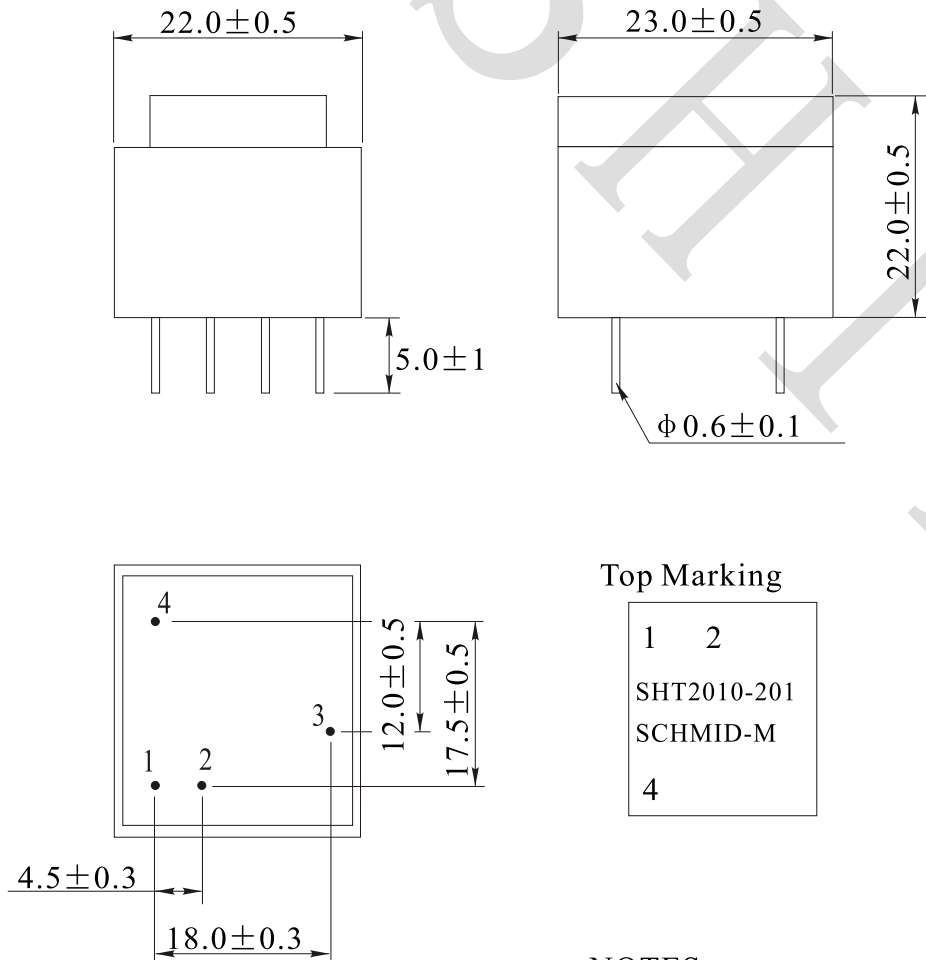
#### NOTES:

Temp 20°C 48%RH  
RoHS Compliant

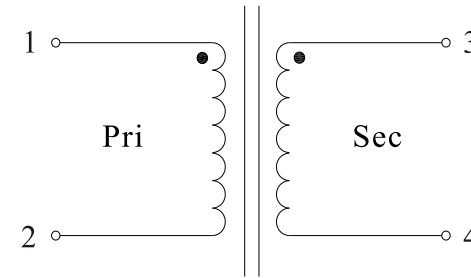
NEME:	High voltage transformers		
CUSTOMER P/N:		DATE:	2022-06-28
SHINHOM P/N:	HT1926-800	REV: A0	PAGE
DRAWN BY	CHECKED BY	APPROVE BY	

Rev.	Description	Date
A0	New release	2018.07.11

### 1. PHYSICAL CHARACTERISTICS (mm)



### 2. ELECTRONICAL SCHEMATIC



### 3. ELECTRONICAL SPECIFICATIONS

Turns ratio:	1:200
Pri voltage:	10~200V
Sec voltage:	22kV Min
Pri DCR:	26mΩ ± 15%
Sec DCR:	520Ω ± 15%
Pri inductance:	6uH ± 15% @ 100Hz, 0.3V
Sec inductance:	240mH ± 15% @ 100Hz, 0.3V
Output power:	1W
Noload work time:	30S
Operating temperature:	0°C to +80°C

#### NOTES:

Temp 20°C 48%RH  
RoHS Compliant

NAME:	High voltage transformers		
CUSTOMER P/N:		DATE:	2018-07-11
SHINHOM P/N:	HT2010-201	REV:	A0
			PAGE
DRAWN BY	CHECKED BY	APPROVE BY	

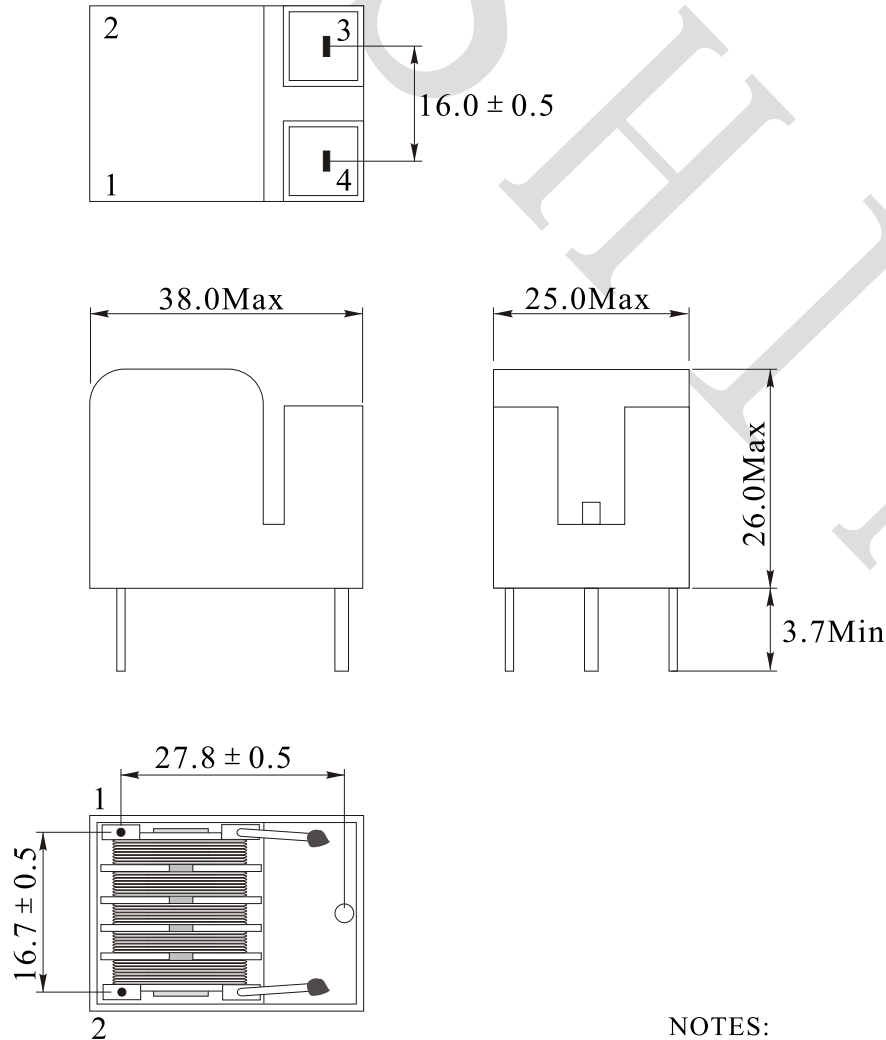


**SHINHOM**  
SHAANXISHINHOM ENTERPRISE CO LTD

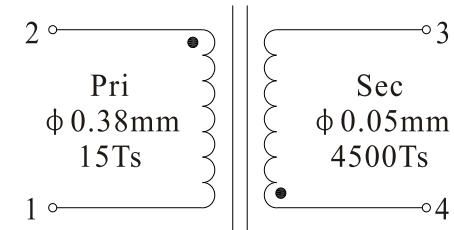
The Document property belong to SHINHOM & is not allowed to be duplicated without authorization

Rev.	Description	Date
A0	New release	2020.04.28

### 1. PHYSICAL CHARACTERISTICS (mm)



### 2. ELECTRONICAL SCHEMATIC



### 3. ELECTRONICAL SPECIFICATIONS

Inductance: Pin2-1: 10uH ± 20% @ 1KHz, 0.3V

Pin4-3: 500mH ± 20% @ 1KHz, 0.3V

Turns ratio: Sec: Pri = 300 Ref

DCR: Pin2-1: 80mΩ ± 20%

Pin4-3: 1600Ω ± 20%

#### NOTES:

Temp 20°C 48%RH

RoHS Compliant

NEME:	Ignition transformer		
CUSTOMER P/N:	2179	DATE:	2020-04-28
SHINHOM P/N:	HT2528V-241-2	REV:	A0
DRAWN BY	CHECKED BY	APPROVE BY	

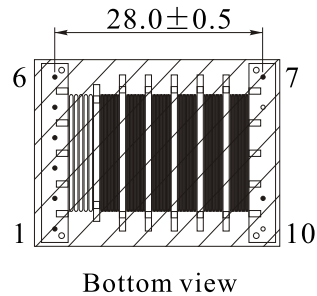
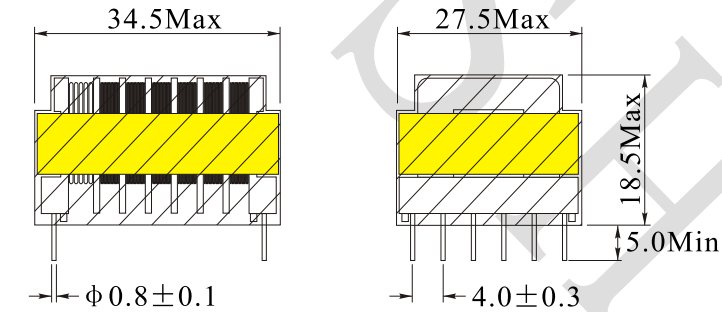


**SHINHOM**  
SHAANXISHINHOM ENTERPRISE CO LTD

TEL: +86-029-87851838  
FAX: +86-029-87851840  
ZIP: 710054  
Http://www.shinhom.com  
E-mail: shinhom@globalsources.com  
sales@shinhom.com.cn  
NO. 8, Yanta Northern Road, Xi'an Shaanxi Pro. China

Rev.	Description	Date
A0	New release	2022.05.17

### 1. PHYSICAL CHARACTERISTICS (mm)



Cut off pin8,10

### 3. ELECTRONICAL SPECIFICATIONS

Inductance(4-2): 99uH±20%@1KHz,0.1V

DCR(4-2): 0.15Ω±20%

Inductance(9-7): 365mH±17%@1KHz,0.1V

DCR(9-7): 191Ω±20%

Test Instrument:

L: HP4284A

RDC: HM2540

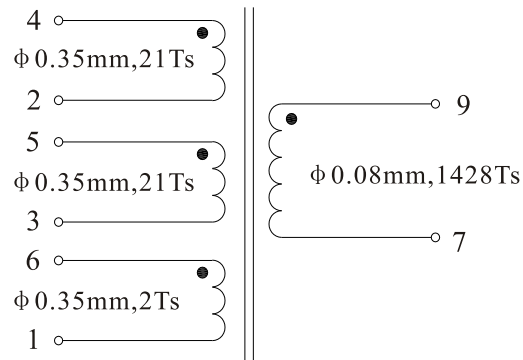
Note:

1. Solderability: leads shall meet MIL-STD-202, Method 208D for solderability.

2. Flammability: UL94V-0

3. ASTM oxygen index: >28%

### 2. ELECTRONICAL SCHEMATIC



NAME:	High voltage transformer		
CUSTOMER P/N:	EEH2513	DATE:	2022-05-17
SHINHOM P/N:	HT25L-1482-44	REV: A0	PAGE
DRAWN BY	CHECKED BY	APPROVE BY	

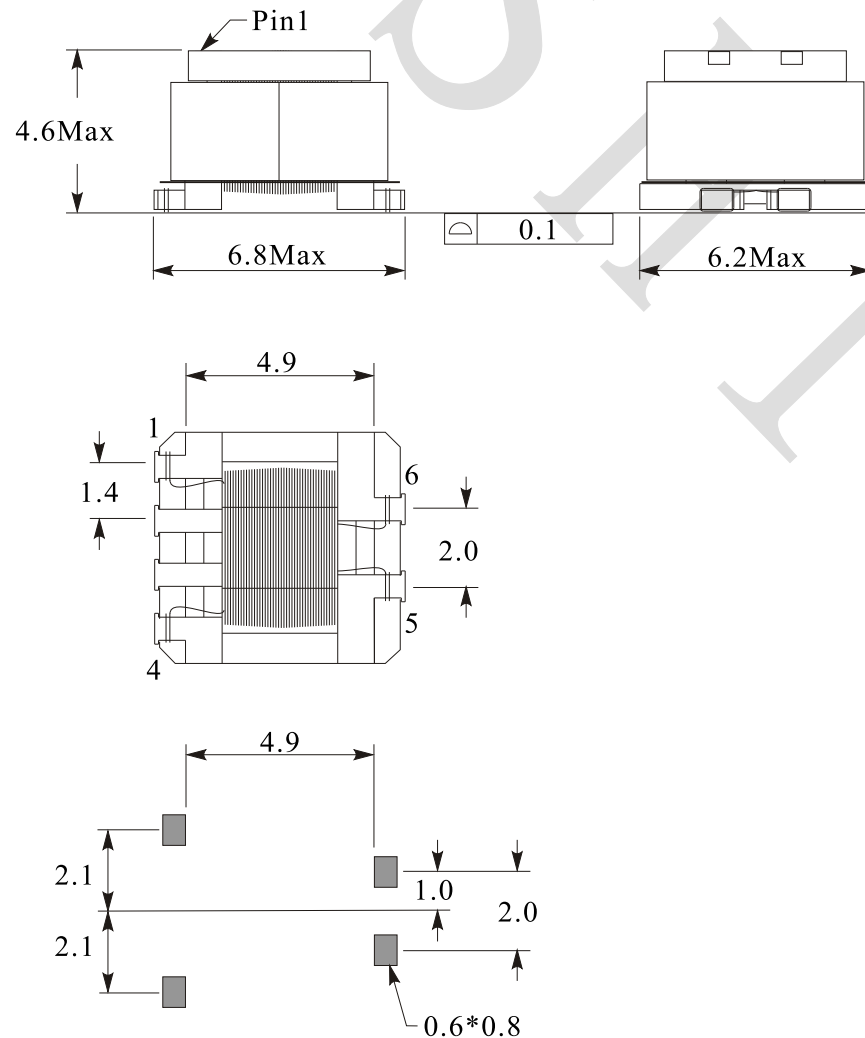


**SHINHOM**  
SHAANXISHINHOM ENTERPRISE CO LTD

The Document property belong to SHINHOM & is not allowed to be duplicated without authorization

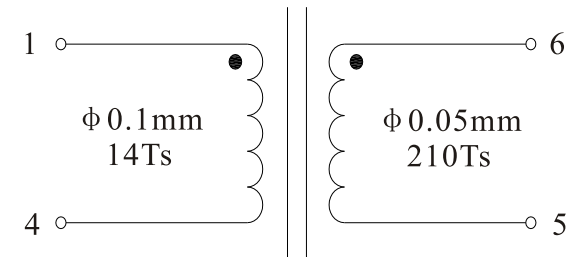
Rev.	Description	Date
A0	New release	2017.03.20

## 1. PHYSICAL CHARACTERISTICS (mm)



Recommended LAN Pattern

## 2. ELECTRICAL SCHEMATIC



## 3. ELECTRICAL SPECIFICATIONS

Turns ratio: (1-4):(6-5)=1:15  
 L(1-4): 15uH ± 10% @ 1.0KHz, 1V  
 Lk: 0.3uH Max @ 100KHz, 0.1V  
 DCR(1-4): 1.0 Ω Max  
 DCR(6-5): 25 Ω Max  
 Ipk: 1.2A  
 Inductance(Ipk): 13.5uH Min @ 1.0KHz, 1V  
 Ambient temperature: -40°C to +125°C  
 Operating temperature: -40°C to +125°C

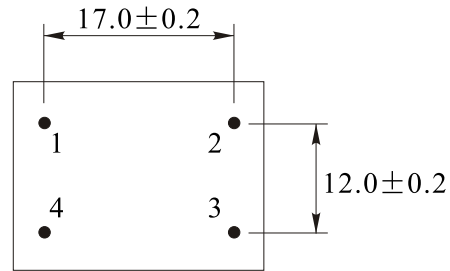
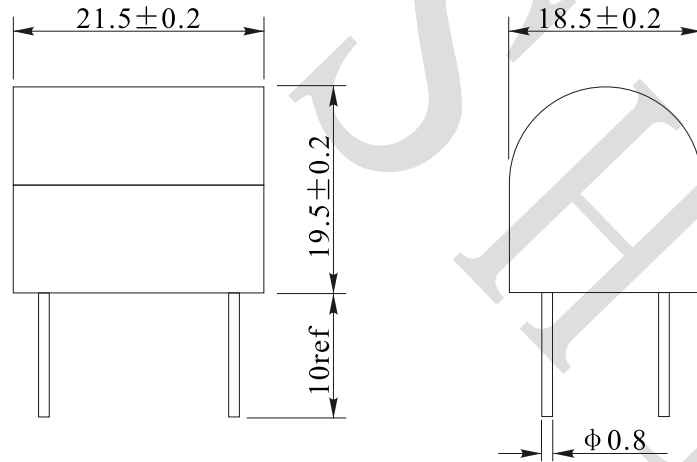
NAME:	High voltage transformers		
CUSTOMER P/N:	CJ5143-AL	DATE:	2017-03-20
SHINHOM P/N:	HT5143	REV: A0	PAGE
DRAWN BY	CHECKED BY	APPROVE BY	



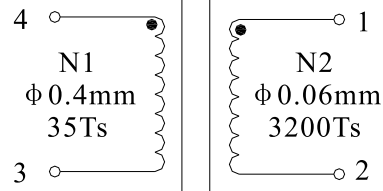
**SHINHOM**  
 SHAANXISHINHOM ENTERPRISE CO LTD

The Document property belong to SHINHOM & is not allowed to be duplicated without authorization

MECHANICAL DIMENSION:(UNIT:mm)



SCHEMATIC:



WINDING:

WDG	TERMINAL	WIRE SIZE	TURNS	REMARKS
N1	4-3	φ 0.4mm	35TS	
N2	1-2	φ 0.06mm	3200TS	

ELECTRICAL CHARACTER:

NO.	ITEM	MEASURED POINT	TECHNICAL DATA	TEST CONDITION & INSTRUMENT
1	Inductance	4-3	31.5uH±10%	1KHz 0.25V
		1-2	250mH±10%	
2	DCR	4-3	115mΩ ±10%	HM2540
		1-2	700Ω ±10%	

MATERIAL LIST:

NO.	ITEM	MATERIALS	RATING	FILE NO	SUPPLIERS
1	CORE	R6.5X21	---	---	SHANDONG ZHAOYUAN GAOXIANGDI ANZIYOUXIAN GONGSI CO.,LTD
2	WIRE	EIW (POLYESTERIMIDE)	180℃	E85640	TAH ELECTRIC WIRE&CABLE CO.,LTD
3	BOBBIN	PBT	130℃	E130155	NAN YA PLASTICS CORP
4	EPOXY	HASUNCAST 3010	110℃	E86165	SHENZHEN SHI HUASHENG TONGCHUAN GKEJIYOUXIANGONGSI CO.,LTD

NAME:	Ignition Transformers		
CUSTOMER P/N:		DATE:	2011-06-02
SHINHOM P/N:	HT6521	REV:	A0 PAGE
DRAWN BY	CHECKED BY	APPROVE BY	

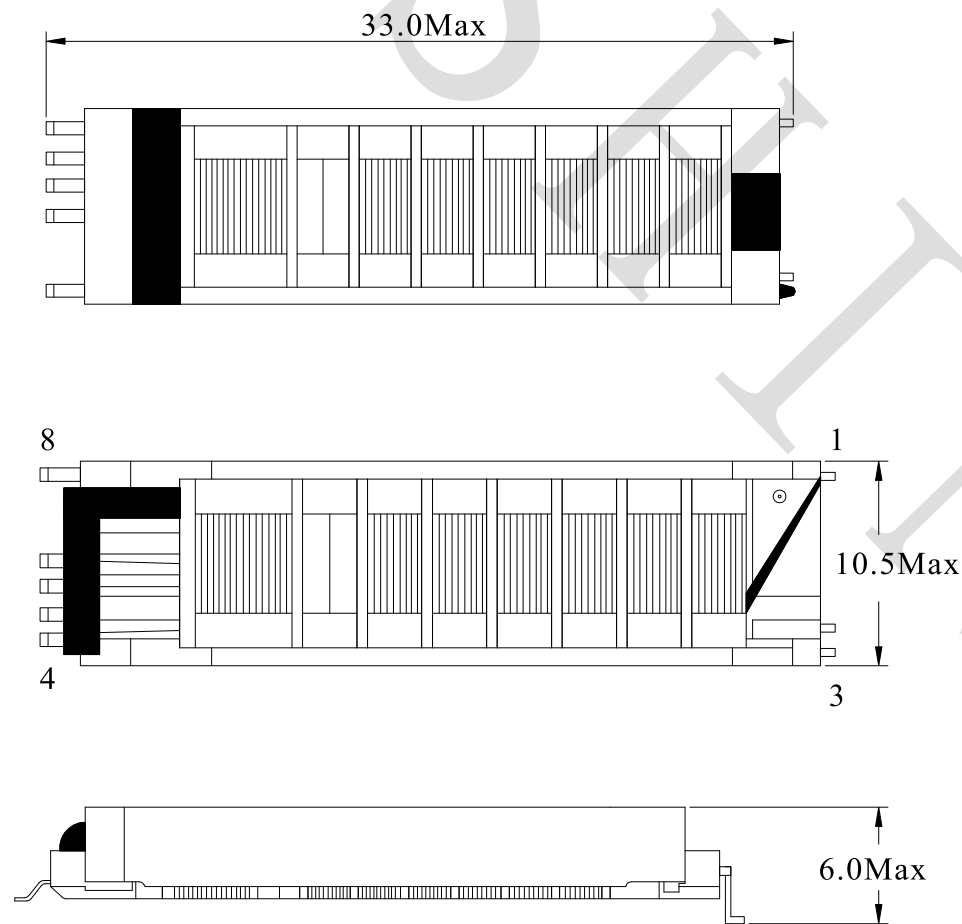


**SHINHOM**  
SHAANXISHINHOM ENTERPRISE CO LTD

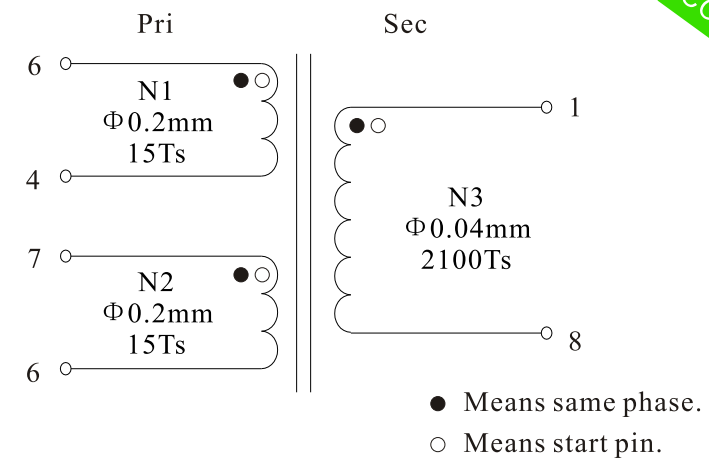
The Document property belong to SHINHOM & is not allowed to be duplicated without authorization



### 1. PHYSICAL CHARACTERISTICS (mm)



### 2. ELECTRONICAL SCHEMATIC



### 3. ELECTRONICAL SPECIFICATIONS

- Inductance: Pin1-8: 0.68H Min@1KHz,1V
- Pin6-4: 32.8uH Min@1KHz,1V
- Pin7-6: 32.8uH Min@1KHz,1V
- Lk: Pin1-8: 0.23mH ± 15% @ 40KHz, 1V
- Pin6-4: 11uH ± 15% @ 40KHz, 1V
- Pin7-6: 11uH ± 15% @ 40KHz, 1V
- DCR: Pin1-8: 0.67K Ω Max
- Pin6-4: 0.2 Ω Max
- Pin7-6: 0.19 Ω Max
- Hi-Pot: Pri-Sec: 3.0K Vac, 5mA, 2S
- Pri-Core: 1.0K Vac, 5mA, 2S
- Sec-Core: 3.0K Vac, 5mA, 2S

NOTES:  
Temp 25°C 48%RH  
RoHS Compliant

NAME:	Transformer		
CUSTOMER P/N:	FT-BIT0908A	DATE:	2012-05-29
SHINHOM P/N:	HTUI98-032	REV: A0	PAGE
DRAWN BY	CHECKED BY	APPROVE BY	